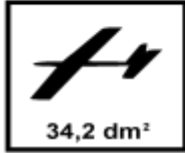


< 1 000 >



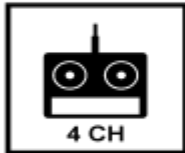
< 950 >



34,2 dm<sup>2</sup>



595 - 645 g



4 CH

# TELINK



# BUSTER

Building instruction: <http://www.telink.eu>

Our series of EPP aerobatic models was supplemented about biplane 3D Buster. The model is also extremely suitable for having fun – stunt flying in a confined/limited space with no smooth landing surface like a mown grass strip Model is great for 3D flying and for start with aerobatic models.

Designers are Jonathan and Ido Segev from Israel. Both pilots made test flight too.

Power unit is equal on our aerobatic models with wing span 1100mm.

## WHAT YOU WILL NEED

### The RC set>

**Transmitter**

4 channels

**Servos**

4 pc, e.g. HS 65HB (12-18 g), cable 250mm

**Split cables for servos**

2 x 300mm for rudder and elevator

**Receiver**

e.g. Duplex R5 (8 g)

**Motor**

brushless 70 - 90g, KV 1100-1250 (2217/1250)

**Controller**

AC, for currents of min. 30 A

**Propeller**

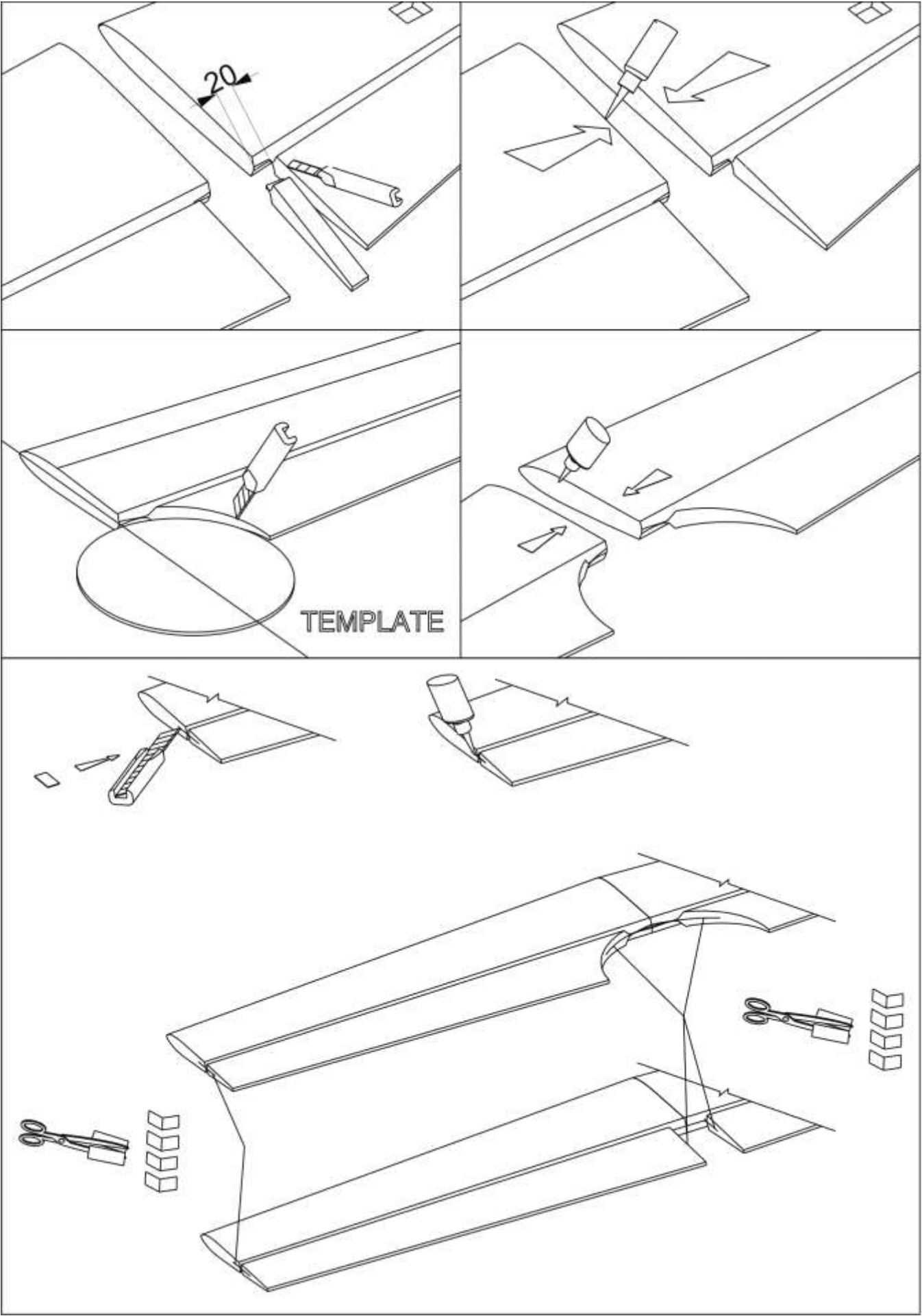
e.g. APC 10/4,7

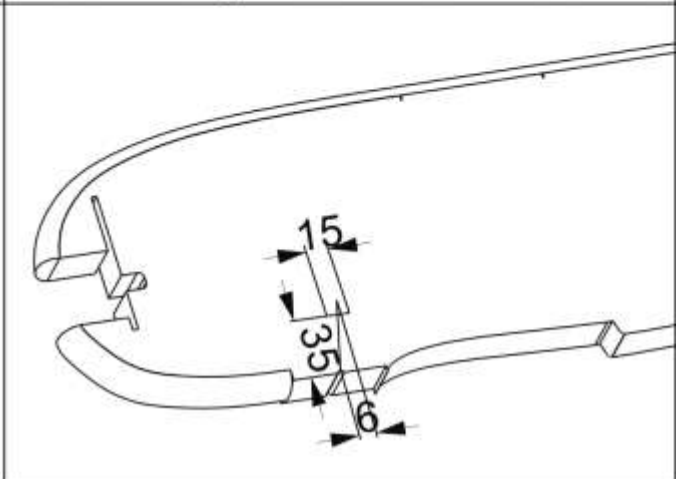
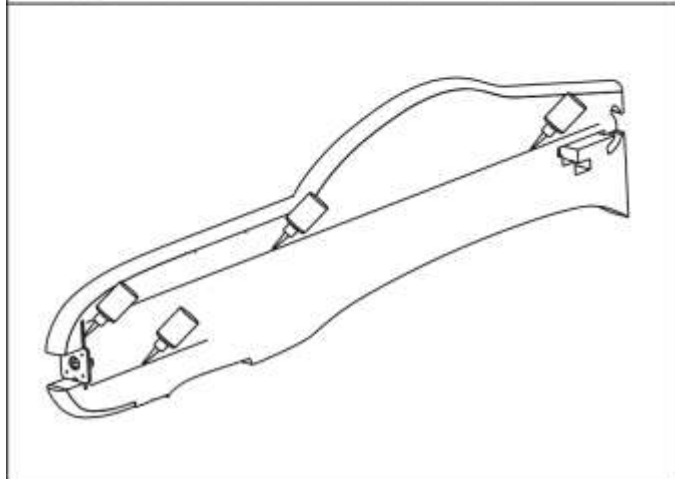
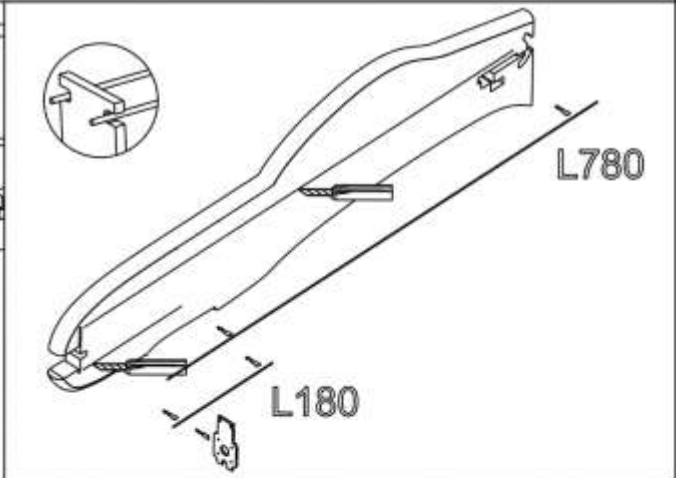
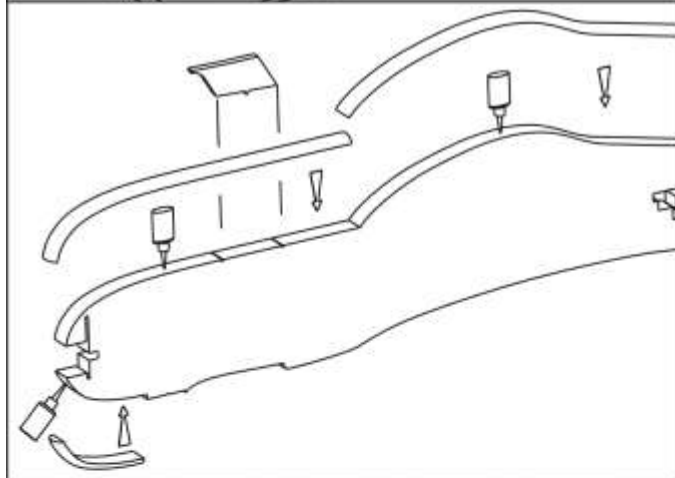
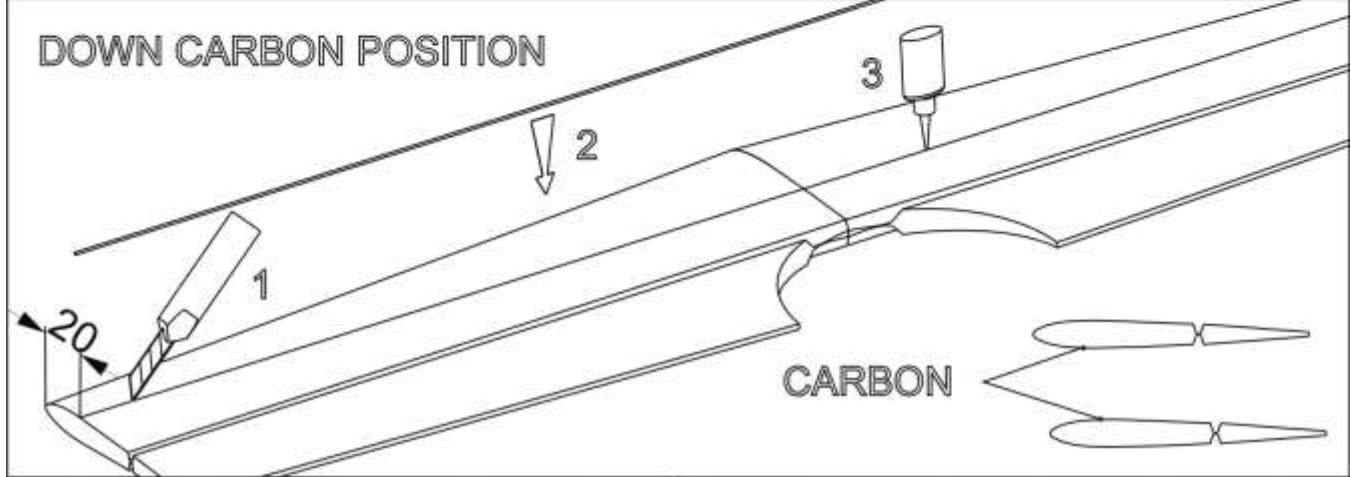
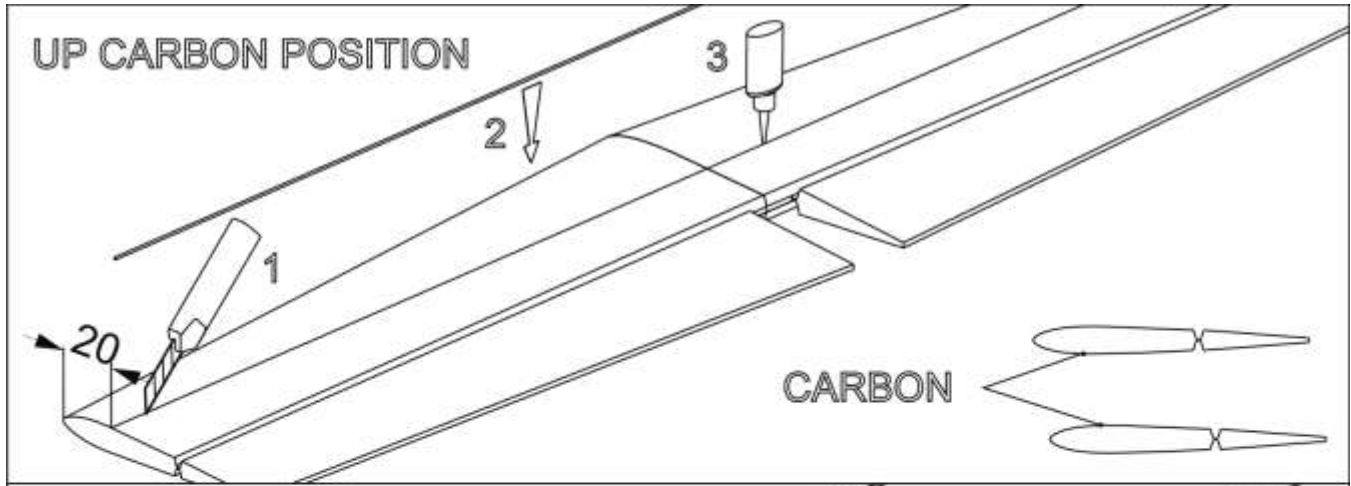
**Accumulators**

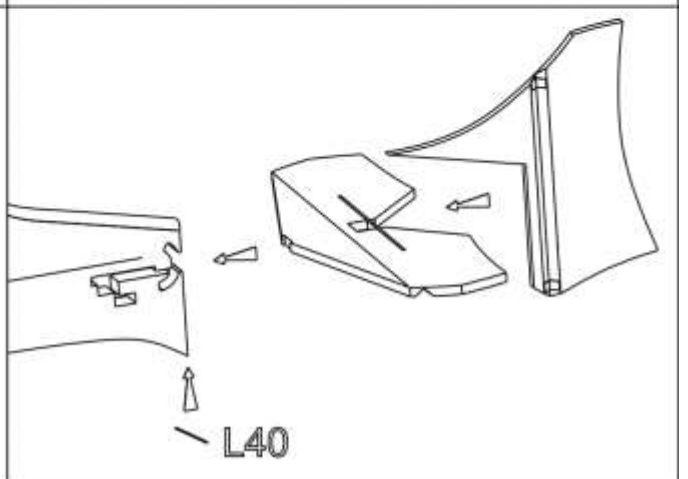
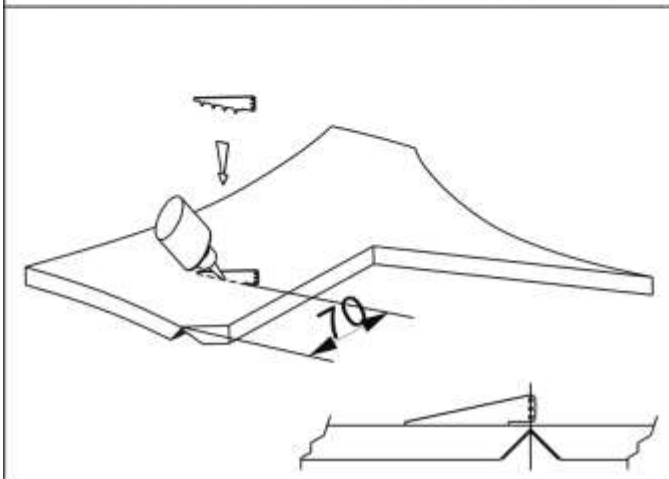
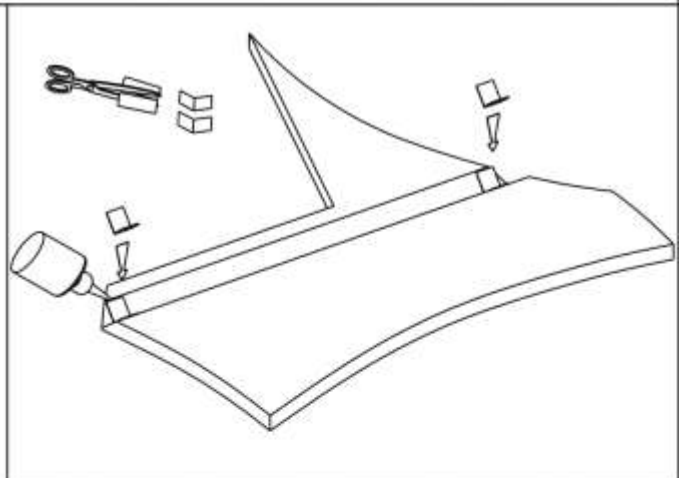
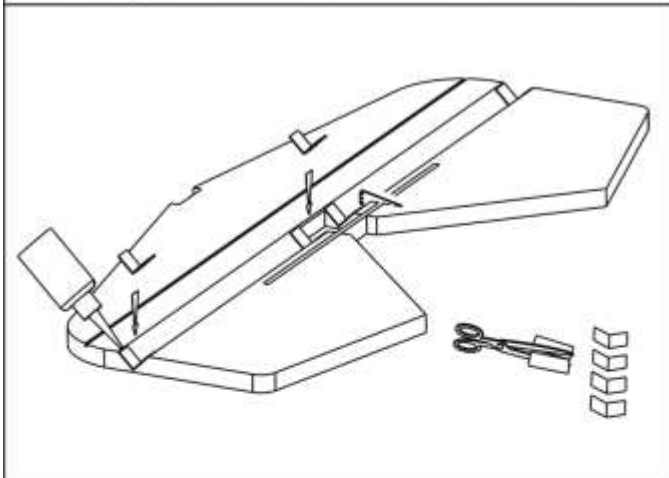
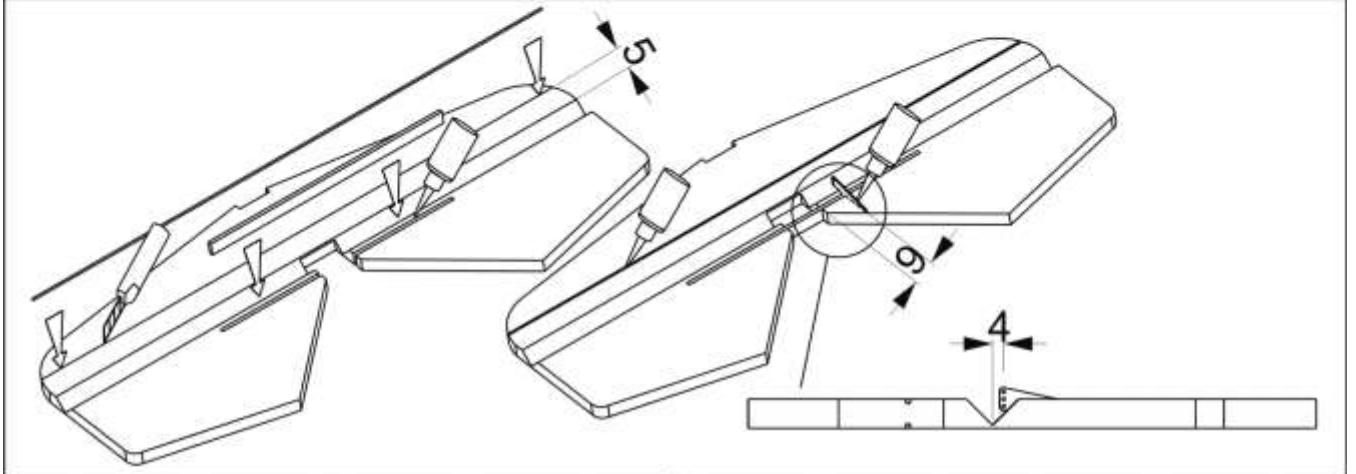
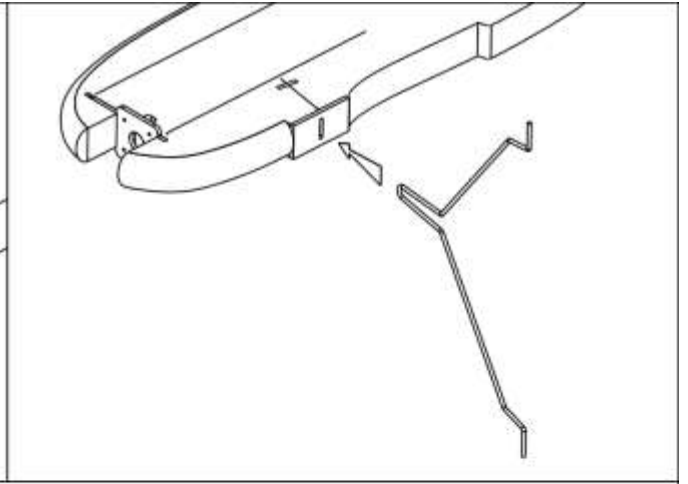
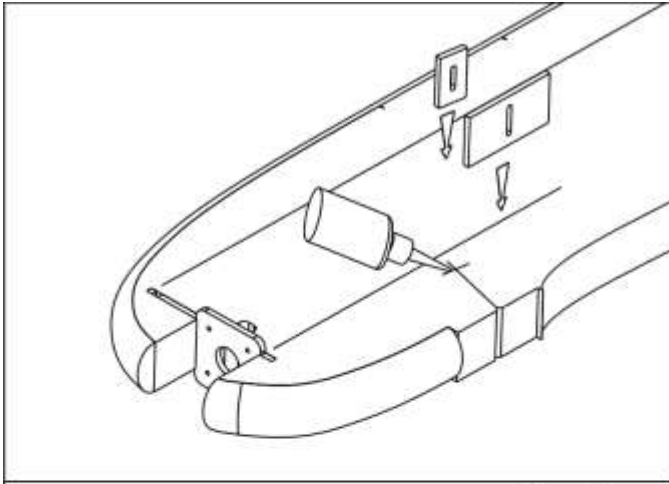
3S1P LiPol 1600-2200 mAh (150-190g)

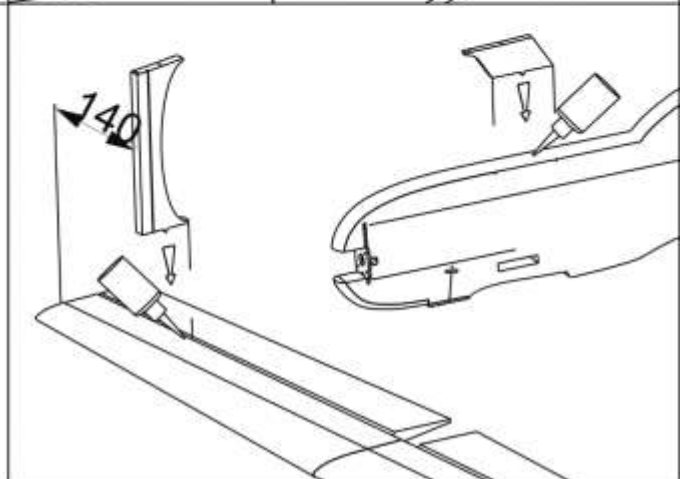
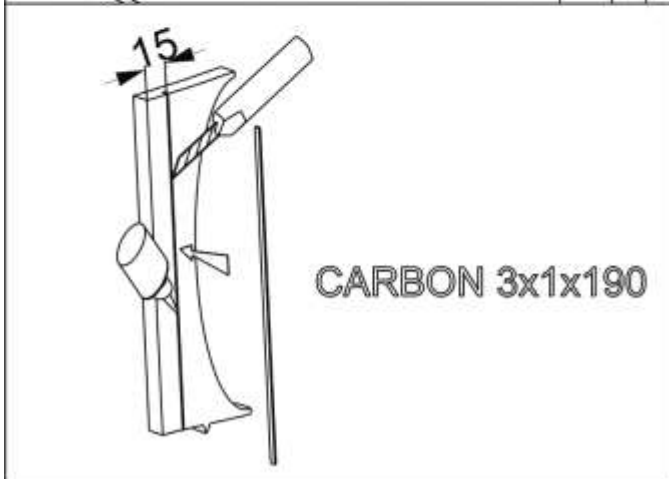
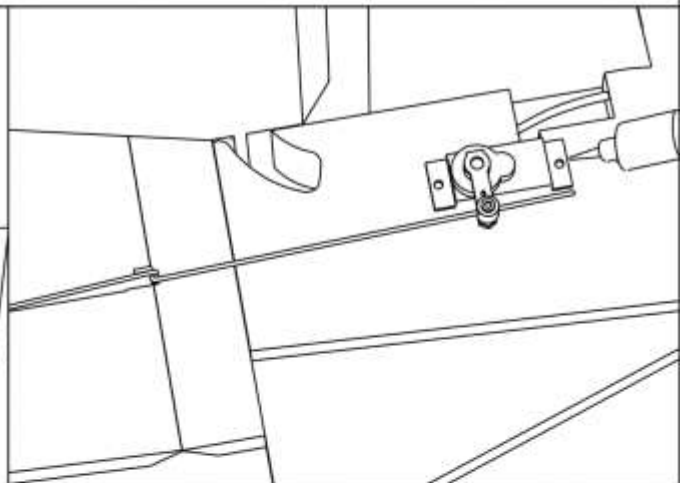
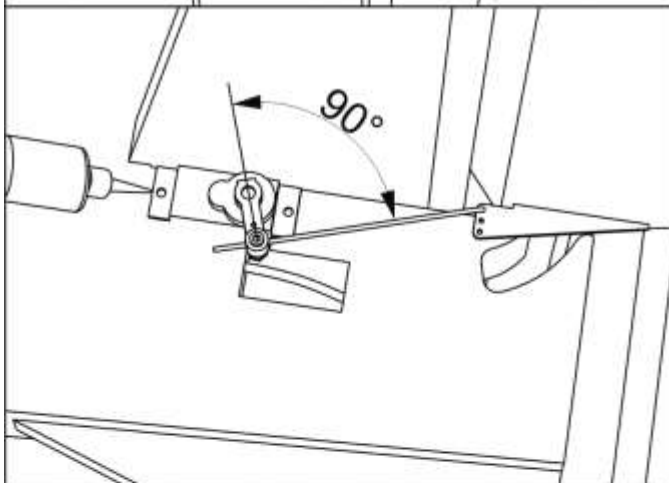
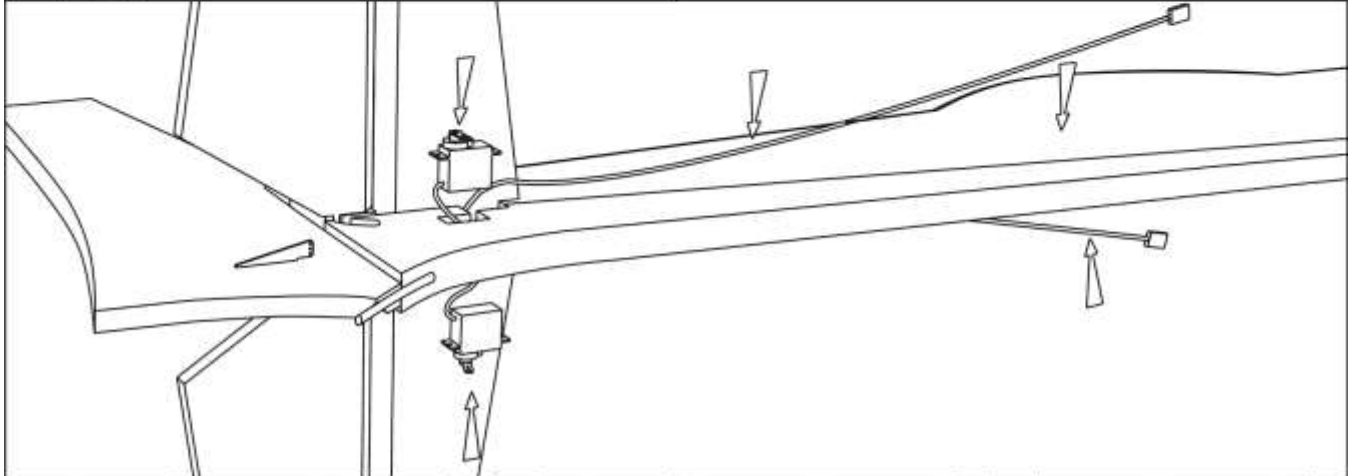
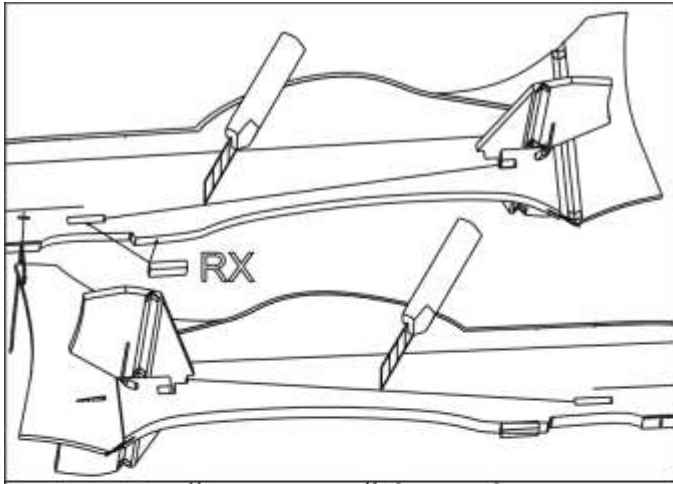
**A list of further necessary material:** contact glue, medium thick cyanoacrylate glue (well proven is the Flash brand), connectors to accumulators...

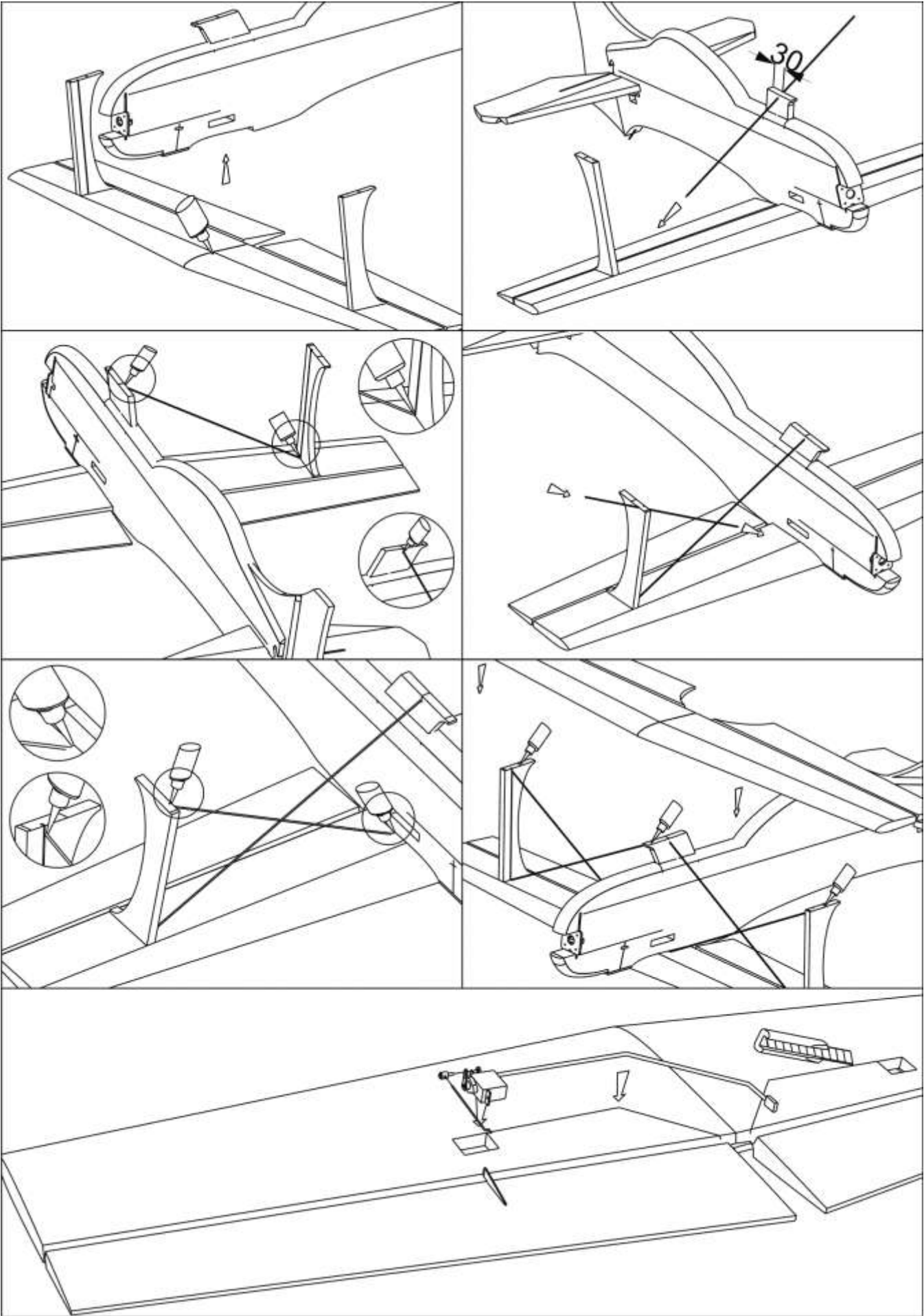
**A list of necessary tools:** modelling knife, soldering pistol, nippers...

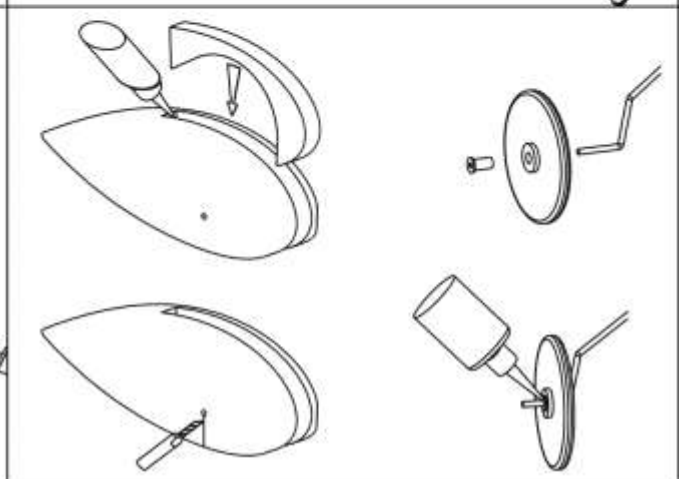
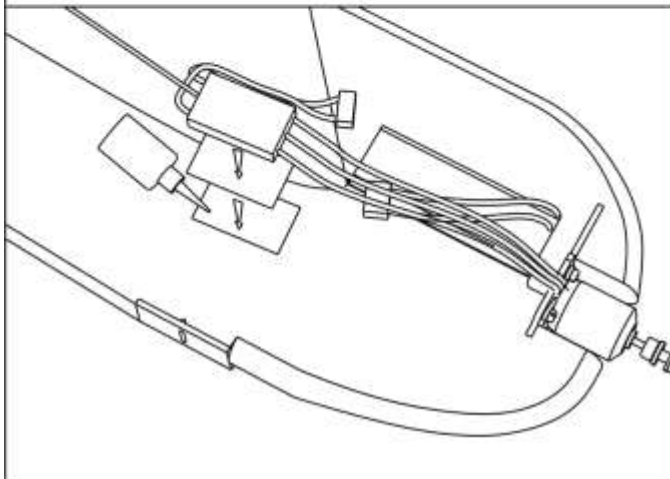
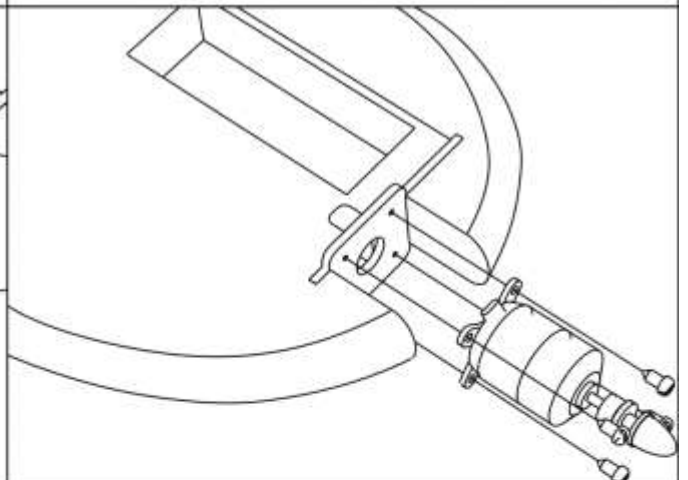
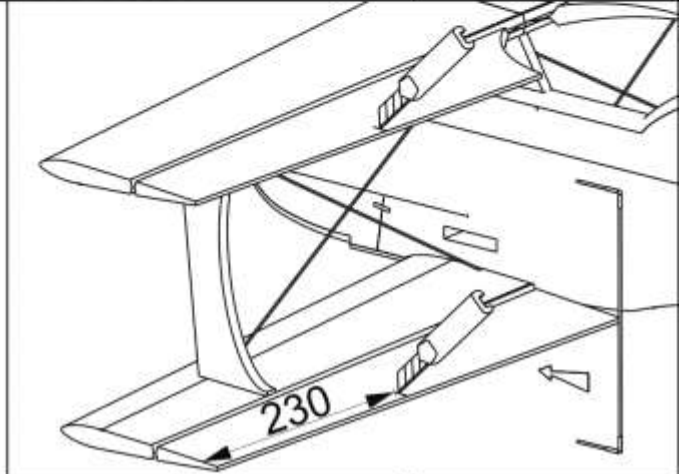
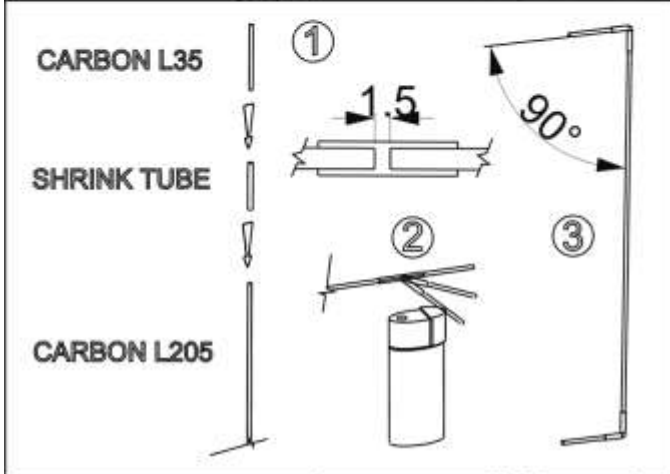
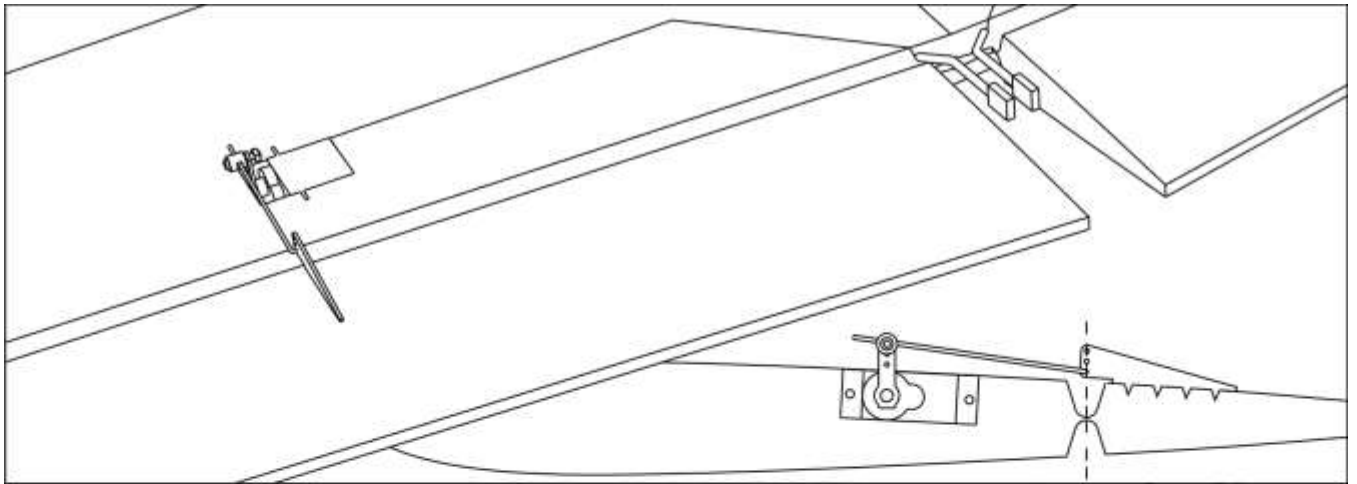


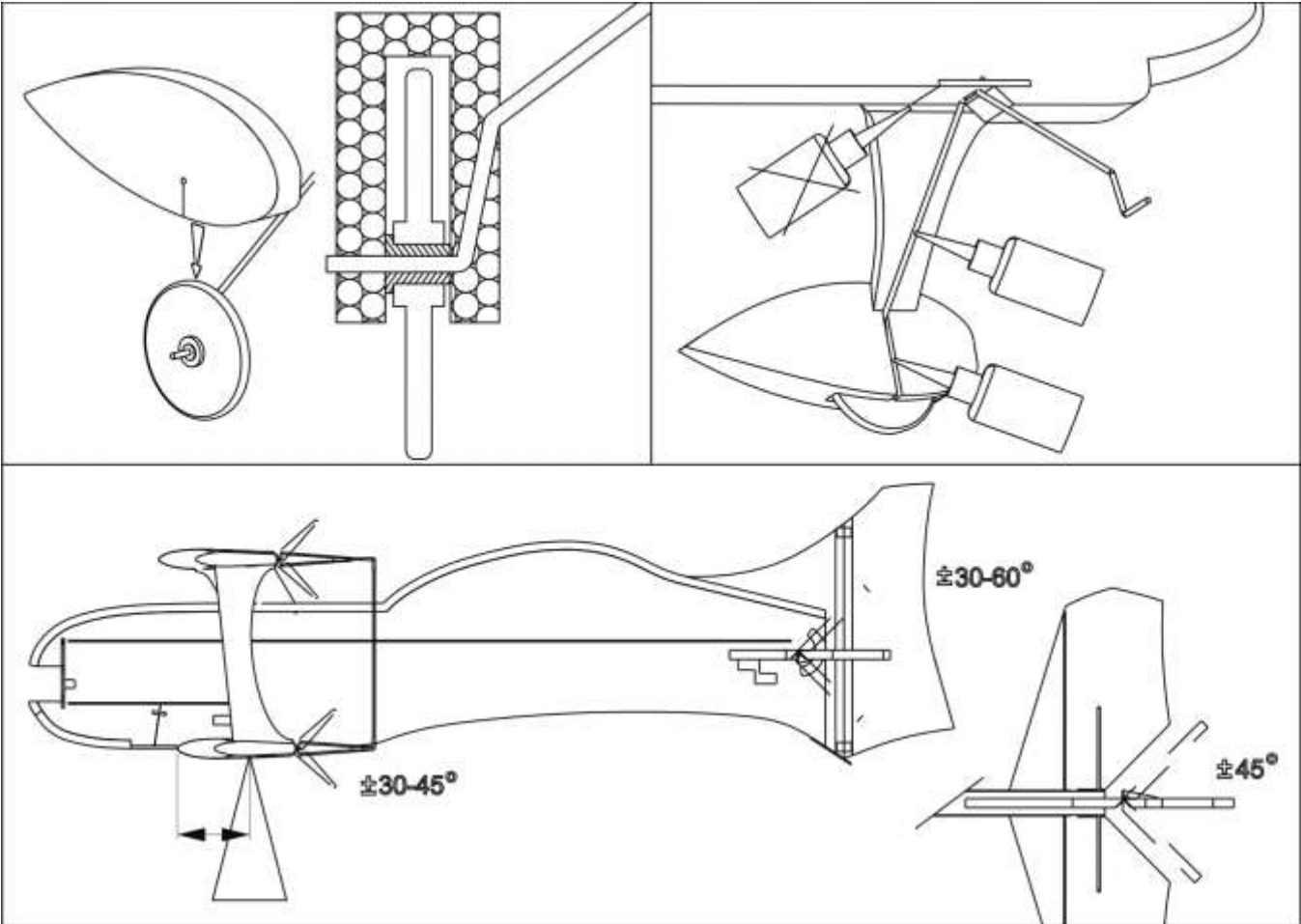












## 3D Buster

### List of parts in the kit:

#### Wing

- 4 x wing half of EPP
- 2 x wing spar (2 x carbon fibre composite wire /1000mm)
- 4 x diagonal wing spar (2 x carbon fibre composite wire 1,5mm/1000mm)
- 2 x wing strut of EPP
- 2 x strut spar (2 x carbon fibre composite 1x3mm/ 190mm)
- 2 x push-pull rod (2 x carbon fibre composite wire 2,0mm/205mm)
- 4 x aileron horn (4 x carbon fibre composite wire 2,0mm/35mm)
- 1 x shring tube 2,0/150mm

#### Trup...

- 1 x fuselage of EPP (3 parts)
- 3 x fuselage strip of EPP
- 1 x wing baldachin of EPP
- 1 x tailskid (1 x carbon fibre composite wire 1,5mm/40mm- rest of fuselage stiffener)
- 1 x undercarriage base of plywood
- 1 x undercarriage base of glassfibre
- 1 x motor bearer of plywood
- 2 x fuselage stiffener (2 x carbon fibre composite wire 1,5/ 780mm/1000mm)
- 2 x fuselage stiffener (2 x carbon fibre composite wire 1,5/ 180mm)
- 1x undercarriage
- 2 x wheel
- 2 x wheel securing tube
- 2+2+2 x streamlined wheel pants of EPP
  
- 1 x horizontal tail of EPP
- 2 x stiffener for horizontal stabilizer(1 x carbon fibre composite wire 1,0mm/ 1000mm)
- 1 x elevator joiner, wooden 3x10x196 mm strip
- 1 x vertical tail of EPP
- 4 x hinge
- 4 x horn
- 4 x piano wire push-pull rod Ø 1mm
- 4 x adjustable connector „blimp“
  
- 1 x instructions

## 3D Buster uhlíky

- 6 x uhlíková tyčka 1,5mm/1000m)
- 2 x výztuha vzpěry křídla (2 x uhlíkový pásek 1x3mm/ 191mm)
- 2 x spojovací táhlo (2 x uhlíková tyčka 2,0mm/205mm)
- 4 x ovládací páka křídélka (4 x uhlíková tyčka 2,0mm/35mm)
- 1x uhlíková tyčka 1,0mm/ 1000 m, vyztužení výškovky